

LIFE SAVING EQUIPMENT KIT



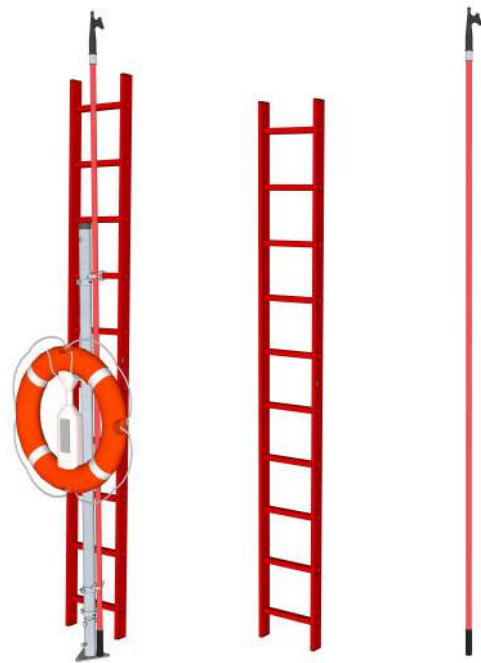
Life Saving Equipment Kit 083950

The life saving equipment kit creates security on the dock. Remember to teach your children how to use the safety equipment in an emergency situation. The kit can be placed by the dock of a summer cottage, in harbours and at public beaches.

The pole metal components are made of hot dip galvanised steel. Weight 25 kg.

The rescue equipment items are also available separately:

- 084500 Lifebuoy with line 25 m Weight: 2,6 kg
- 084600 Lifebuoy Weight: 2,0 kg
- 084800 Line for lifebuoy, floating Weight: 0,6 kg
- 084400 Hook 3 m, aluminium, floating Weight: 1,5 kg
- 084200 Ladder 3 m aluminium, floating Weight: 4,2 kg



LIFEBUOY WITH THROW LINE 25 M



Lifebuoy with throw line 084500

The lifebuoy and the pre-attached throw line is part of the basic equipment of every shore. The lifebuoy should be in a visible place and at a suitable height so that even a child can reach it if necessary.

Weight: 2,6 kg
Package: 6 pcs

LINE FOR LIFEBOUY 25 M

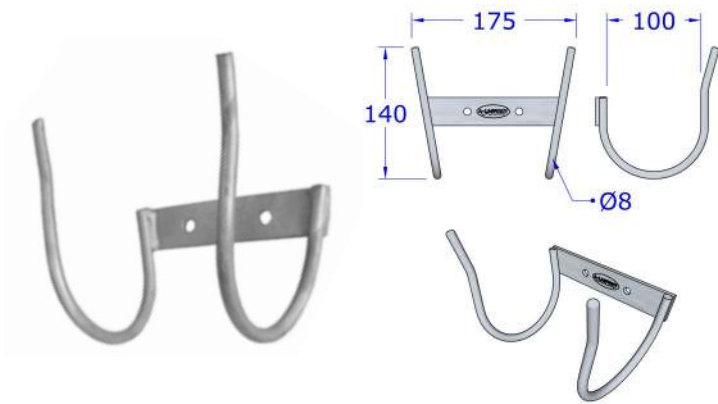


**Line for lifebuoy 25 m
084800**

Floating, 25 m rope for lifebuoy, with plastic cover. The throw line is attached to the lifebuoy by the loop.

Weight: 2 kg
Package: 12 pcs

LIFEBOUY HOLDER, 2-FORKED

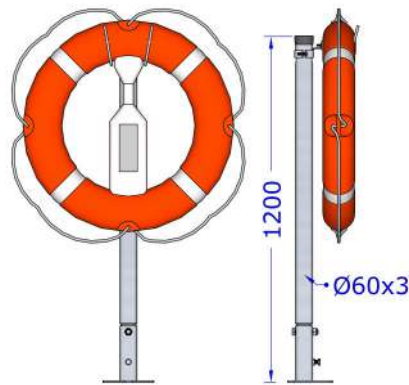


**Lifebuoy Holder, 2-Forked
085300**

A ready designed holder for the lifebuoy (or waterhose) in the marina.

Material: HDG steel
Weight: 0,2 kg
Package: 12 pcs

LIFEBOUY WITH POLE

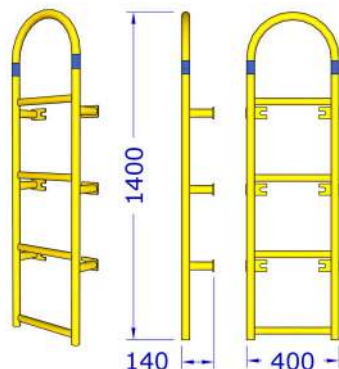


**Lifebuoy with pole
083960**

Package includes a lifebuoy with rope and a rack that can be mounted on the dock.

Weight 10 kg
Package 6 pcs

FIXED SAFETY LADDER



**Fixed Safety Ladder
083101**

It is important that long docks have fixed safety ladders installed. The safety ladder is hot dip galvanised, painted, and equipped with reflectors.

Material HDG, painted
Weight: 7,6 kg
Package: 4 pcs