

## Life Saving Equipment Kit

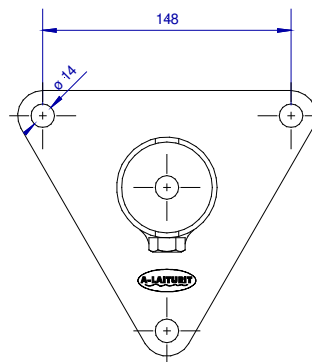


**Life Saving Equipment Kit** is a complete ready-to-install kit for safety in public boat harbors.

It is built around HDG steel pole where is installed floating ladders, a boat hook and a life ring with 25 m throw rope.

The entity conforms Finnish public authority demands for Finnish public boat harbors.

*Pole base holes*



### **Parts**

- |              |                                                                                                                                  |
|--------------|----------------------------------------------------------------------------------------------------------------------------------|
| Pole base:   | HDG steel. Will be installed with 3 screws to the pontoon decking                                                                |
| Pole:        | HDG steel 60 mm / 2m                                                                                                             |
| Life ring:   | Weatherproof plastics. Reflectors and grid rope. Certified                                                                       |
| Throw rope:  | 25 m rope in a weatherproof plastics case                                                                                        |
| Ladders:     | Floating wooden ladders 3m                                                                                                       |
| Boat hook:   | Floating wooden boat hook 3m                                                                                                     |
| Accessories: | Ring holder, boat hook holder, pole cap and all the screw ware for assembly. Screws for installation to the decking not included |

**A-Marinas Finland Oy / A-Laiturit Oy**  
Voudinkatu 39, FI-21200 Finland  
Tel. +358 207 433 100  
[www.a-laiturit.fi](http://www.a-laiturit.fi) - [info@a-laiturit.fi](mailto:info@a-laiturit.fi)